



Bella Elevator, LLC
Enterprise Division
10000 N Galena Rd
Peoria, IL 61615

enterpriseorders@bellaelevator.com
Ph: 410-685-0344 or 309-689-2584
Fax: 309-689-8091

Standard Finishes

■ **Black or Gray**

Premium Finishes

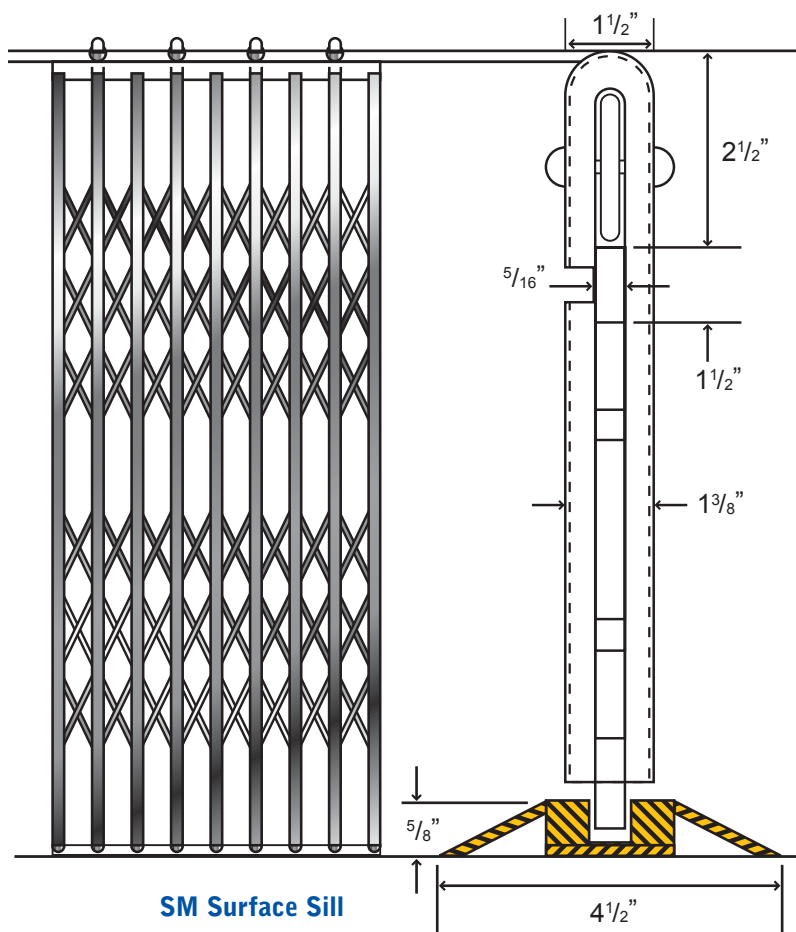
- **Brass**
Polish, Brush & Antique Finish
- **Stainless Steel**
Polish & Brush Finish
- **Nickel Plated**
- **Bright Zinc Plated**
- **Any Color Match**

Collapsible Gates by Enterprise

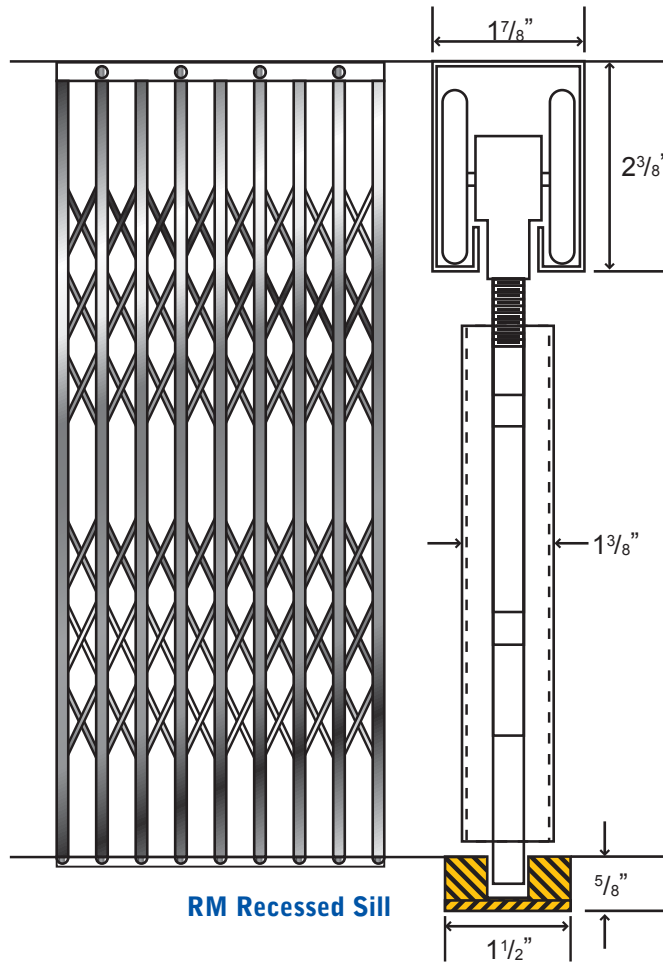
Enterprise Elevator Products manufactures quality elevator products, surpassing all ANSI/ASME codes, using the finest quality materials available.

- **Residential Passenger Gates** feature “Quite Glide” nylon wheels for smooth operation, plus low profile handles and tracks. When fully extended passenger gates shall reject a ball 3” in diameter.
- **Freight Gates** when fully extended shall reject a ball 4 1/2” in diameter.
- **Gate to Have** every third vertical member guided at the top and every vertical member guided at the bottom.
- **Verticals** are made of two 3/8” x 3/4” cold rolled channels.
- **Webbs** of 5/8” x 1/8” hot rolled flat steel.
- **Channel Track** heavy duty galvanized box 1 7/8” x 2 3/8” including carriers to be of two wheel construction and have a weight load of 150 pounds per carrier.
- **Flat Bar (Knuckle Track)** is constructed of 5/16” x 1 1/2” cold rolled flat bar with heavy duty ball bearing rollers.
- **Bottom Sill** (optional) made of two 1/2” x 1/2” square steel bars welded to 1/8” x 1 1/2” flat bar.

Knuckle Track



Channel Track



A Bella Elevator Division
www.elevatorgates.com



Bella Elevator, LLC
Enterprise Division
10000 N Galena Rd
Peoria, IL 61615

enterpriseorders@bellaelevator.com
Ph: 410-685-0344 or 309-689-2584
Fax: 309-689-8091

Standards

Freight**

Number of Bars	Maximum Opening	Clear Opening	Stack in Inches
9	37.46	30.26	7.2
10	42.06	34.06	8.0
11	46.66	37.86	8.8
12	51.26	41.66	9.6
13	55.86	45.46	10.4
14	60.46	49.26	11.2
15	65.06	53.06	12.0
16	69.66	56.86	12.8
17	74.26	60.66	13.6
18	78.86	64.46	14.4
19	83.46	68.26	15.2
20	88.06	72.06	16.0
21	92.66	75.86	16.8
22	97.26	79.66	17.6
23	101.86	83.46	18.4
24	106.46	87.26	19.2
25	111.06	91.06	20.0
26	115.66	94.86	20.8

Passenger / Residential**

Number of Bars	Maximum Opening	Clear Opening	Stack in Inches
9	29.46	22.26	7.2
10	33.06	25.06	8.0
11	36.66	27.86	8.8
12	40.26	30.66	9.6
13	43.86	33.46	10.4
14	47.46	36.26	11.2
15	51.06	39.06	12.0
16	54.66	41.86	12.8
17	58.26	44.66	13.6
18	61.86	47.46	14.4
19	65.46	50.26	15.2
20	69.06	53.06	16.0
21	72.66	55.86	16.8
22	76.26	58.66	17.6
23	79.86	61.46	18.4
24	83.46	64.26	19.2
25	87.06	67.06	20.0
26	90.66	69.86	20.8

Mounting



RM
Recessed Sill

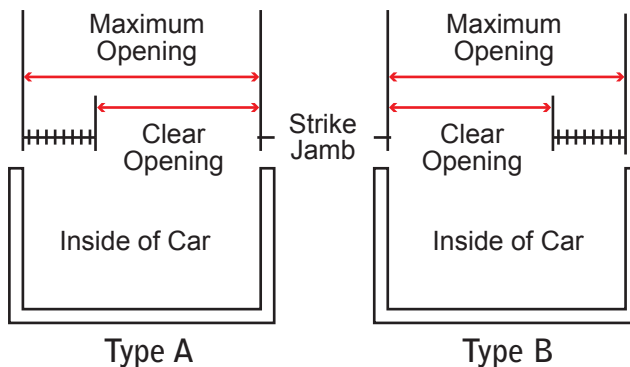


SM
Surface Sill

Enterprise Collapsible Gates

Please provide the following measurements (to nearest 1/16th inch) and order details for your custom made Enterprise Collapsible Gate. Indicate any additional information about the elevator car or the opening.

Width & Direction of Stack



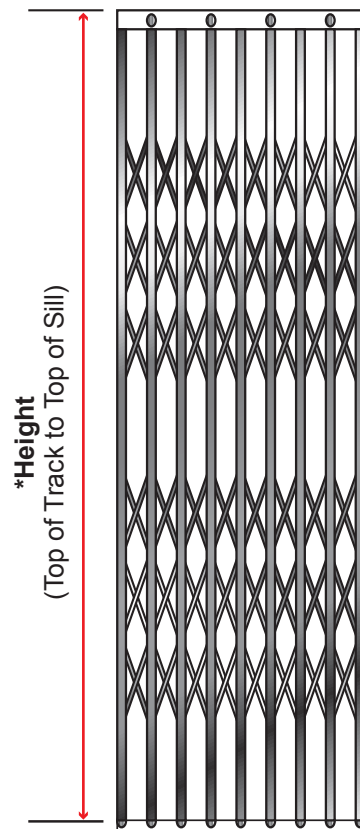
Direction of Stack: Standing inside the elevator, which way does the gate open to allow passengers to leave the car?

Maximum Opening: In inches, what is the distance from stationary bar to strike jamb?

Clear Opening: In inches, what is the distance from the edge of the gate in a collapsed position to the strike jamb?

Gate Height: In inches, what is the distance from the top of the track to the top of the sill?

*Height



Collapsible Gate Order Information

Residential: _____

Freight or Passenger: _____

Track (Name): _____

Maximum Opening: _____

Clear Opening: _____

***Height (Top of track to top of sill):** _____

Sill - If Required (Type): _____

Finish (Name): _____ **Quantity:** _____

Stacking (Type): _____

* When measuring your job requirements, please note that dimensions must be taken from the top of the track to the top of the sill.

** The maximum opening less the gate stack gives you the "Clear Opening"

Name: _____ Company: _____

Street: _____

City: _____ State: _____ Zip Code: _____

Phone: _____ Fax: _____ email: _____

Special Instructions: _____