



**Bella Elevator, LLC**  
Enterprise Division  
10000 N Galena Rd  
Peoria, IL 61615

enterpriseorders@bellaelevator.com  
Ph: 410-685-0344 or 309-689-2584  
Fax: 309-689-8091

### Standard Finishes

■ **Black or Gray**

### Premium Finishes

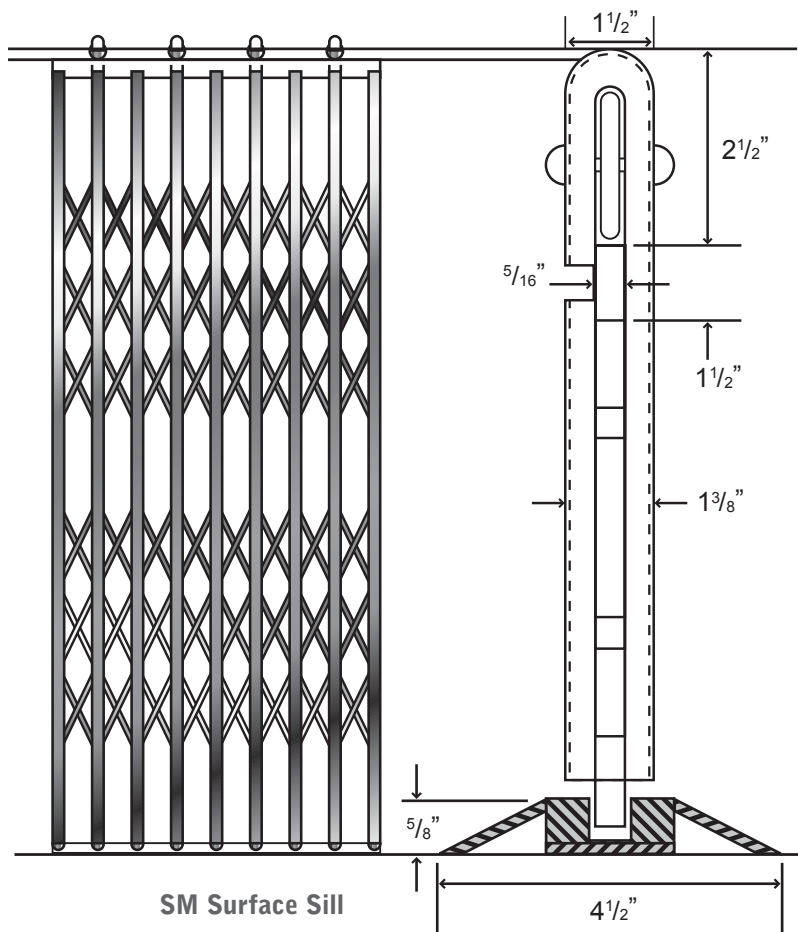
- **Brass**  
Polish, Brush & Antique Finish
- **Stainless Steel**  
Polish & Brush Finish
- **Nickel Plated**
- **Bright Zinc Plated**
- **Any Color Match**

# Collapsible Gates by Enterprise

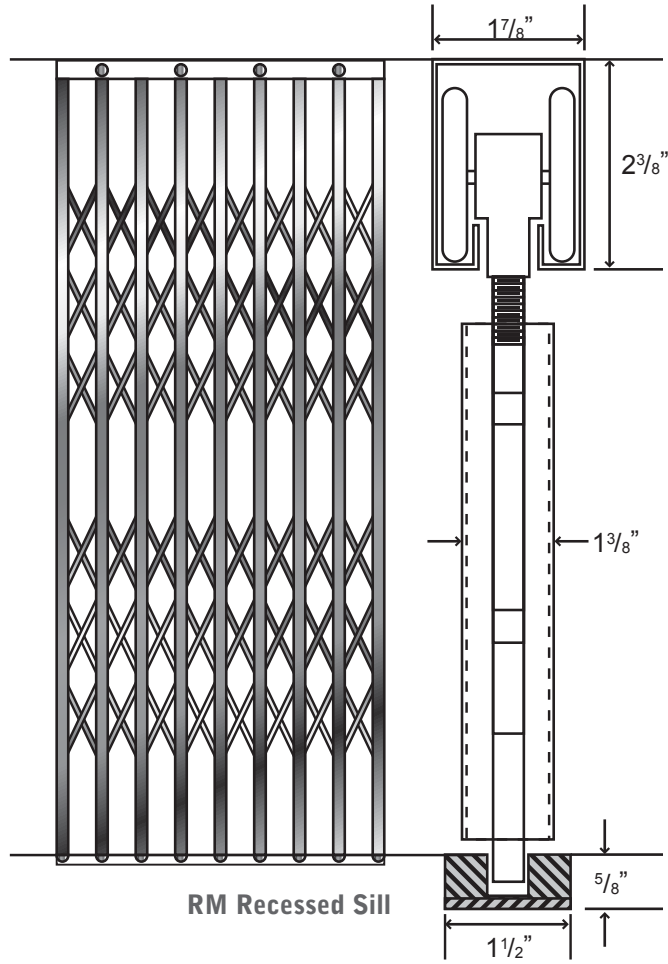
Enterprise Elevator Products manufactures quality elevator products, surpassing all ANSI/ASME codes, using the finest quality materials available.

- **Residential Passenger Gates** feature “Quite Glide” nylon wheels for smooth operation, plus low profile handles and tracks. When fully extended passenger gates shall reject a ball 3” in diameter.
- **Freight Gates** when fully extended shall reject a ball 4 1/2” in diameter.
- **Gate to Have** every third vertical member guided at the top and every vertical member guided at the bottom.
- **Verticals** are made of two 3/8” x 3/4” cold rolled channels.
- **Webbs** of 5/8” x 1/8” hot rolled flat steel.
- **Channel Track** heavy duty galvanized box 1 7/8” x 2 3/8” including carriers to be of two wheel construction and have a weight load of 150 pounds per carrier.
- **Flat Bar (Knuckle Track)** is constructed of 5/16” x 1 1/2” cold rolled flat bar with heavy duty ball bearing rollers.
- **Bottom Sill** (optional) made of two 1/2” x 1/2” square steel bars welded to 1/8” x 1 1/2” flat bar.

## Knuckle Track



## Channel Track



A Bella Elevator Division  
www.elevatorgates.com



**Bella Elevator, LLC**  
Enterprise Division  
10000 N Galena Rd  
Peoria, IL 61615

enterpriseorders@bellaelevator.com  
Ph: 410-685-0344 or 309-689-2584  
Fax: 309-689-8091

## Standards

### Freight\*\*

Number of Bars	Maximum Opening	Clear Opening	Stack in Inches
9	38.75	31.55	7.2
10	43.50	35.50	8.0
11	48.25	39.46	8.8
12	53.00	43.40	9.6
13	57.75	47.35	10.4
14	62.50	51.20	11.2
15	67.25	55.25	12.0
16	72.00	59.20	12.8
17	76.75	63.15	13.6
18	81.50	67.10	14.4
19	86.25	71.05	15.2
20	91.00	75.00	16.0
21	95.75	78.95	16.8
22	101.50	83.90	17.6
23	105.25	86.85	18.4
24	110.00	90.80	19.2
25	114.75	94.75	20.0
26	119.50	98.70	20.8

### Passenger / Residential\*\*

Number of Bars	Maximum Opening	Clear Opening	Stack in Inches
9	30.75	23.55	7.2
10	34.50	26.50	8.0
11	38.25	29.46	8.8
12	42.00	32.40	9.6
13	45.75	35.35	10.4
14	49.50	38.20	11.2
15	53.25	41.25	12.0
16	57.00	44.20	12.8
17	60.75	47.15	13.6
18	64.50	50.10	14.4
19	68.25	53.05	15.2
20	72.00	56.00	16.0
21	75.75	58.95	16.8
22	79.50	61.90	17.6
23	83.25	64.85	18.4
24	87.00	67.80	19.2
25	90.75	70.75	20.0
26	94.50	73.70	20.8

## Mounting



RM  
Recessed Sill

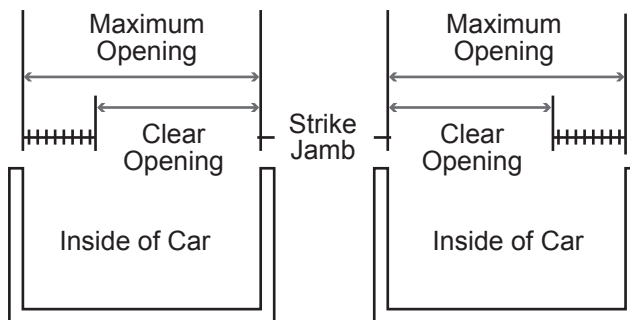


SM  
Surface Sill

# Enterprise Collapsible Gates

Please provide the following measurements (to nearest 1/16th inch) and order details for your custom made Enterprise Collapsible Gate. Indicate any additional information about the elevator car or the opening.

## Width & Direction of Stack



Type A

Type B

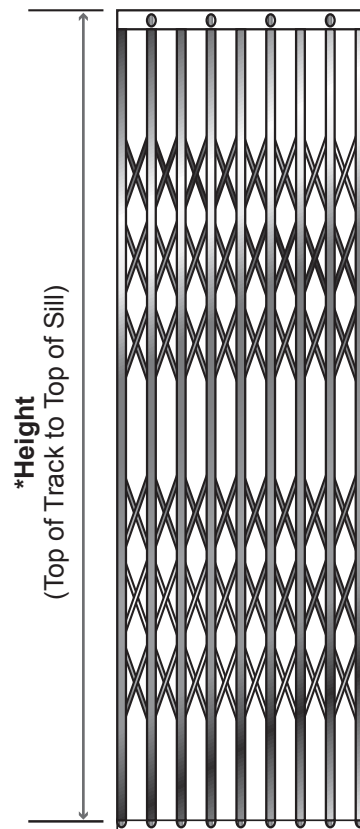
**Direction of Stack:** Standing inside the elevator, which way does the gate open to allow passengers to leave the car?

**Maximum Opening:** In inches, what is the distance from stationary bar to strike jamb?

**Clear Opening:** In inches, what is the distance from the edge of the gate in a collapsed position to the strike jamb?

**Gate Height:** In inches, what is the distance from the top of the track to the top of the sill?

## \*Height



\*Height

(Top of Track to Top of Sill)

## Collapsible Gate Order Information

**Residential:** \_\_\_\_\_

**Freight or Passenger:** \_\_\_\_\_

**Track (Name):** \_\_\_\_\_

**Maximum Opening:** \_\_\_\_\_

**Clear Opening:** \_\_\_\_\_

**\*Height (Top of track to top of sill):** \_\_\_\_\_

**Sill - If Required (Type):** \_\_\_\_\_

**Finish (Name):** \_\_\_\_\_ **Quantity:** \_\_\_\_\_

**Stacking (Type):** \_\_\_\_\_

\* When measuring your job requirements, please note that dimensions must be taken from the top of the track to the top of the sill.

\*\* The maximum opening less the gate stack gives you the "Clear Opening"

Name: \_\_\_\_\_ Company: \_\_\_\_\_

Street: \_\_\_\_\_

City: \_\_\_\_\_ State: \_\_\_\_\_ Zip Code: \_\_\_\_\_

Phone: \_\_\_\_\_ Fax: \_\_\_\_\_ email: \_\_\_\_\_

Special Instructions: \_\_\_\_\_