

A Bella Elevator Division  
www.elevatorgates.com



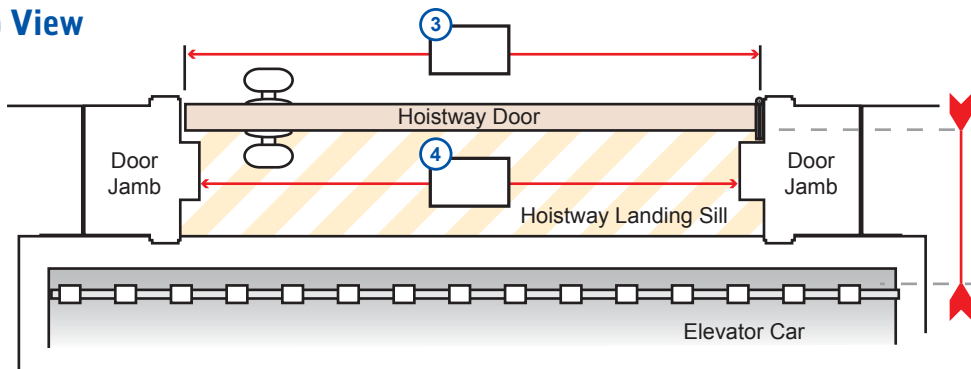
**Bella Elevator, LLC**  
Enterprise Division  
10000 N Galena Rd  
Peoria, IL 61615

enterpriseorders@bellaelevator.com  
Ph: 410-685-0344 or 309-689-2584  
Fax: 309-689-8091

# Enterprise Space Guard

Please provide the following 11 measurements (to nearest 1/16th inch) for your custom made Enterprise Space Guard. If necessary, sketch or indicate any additional hardware on the door.

## Top View



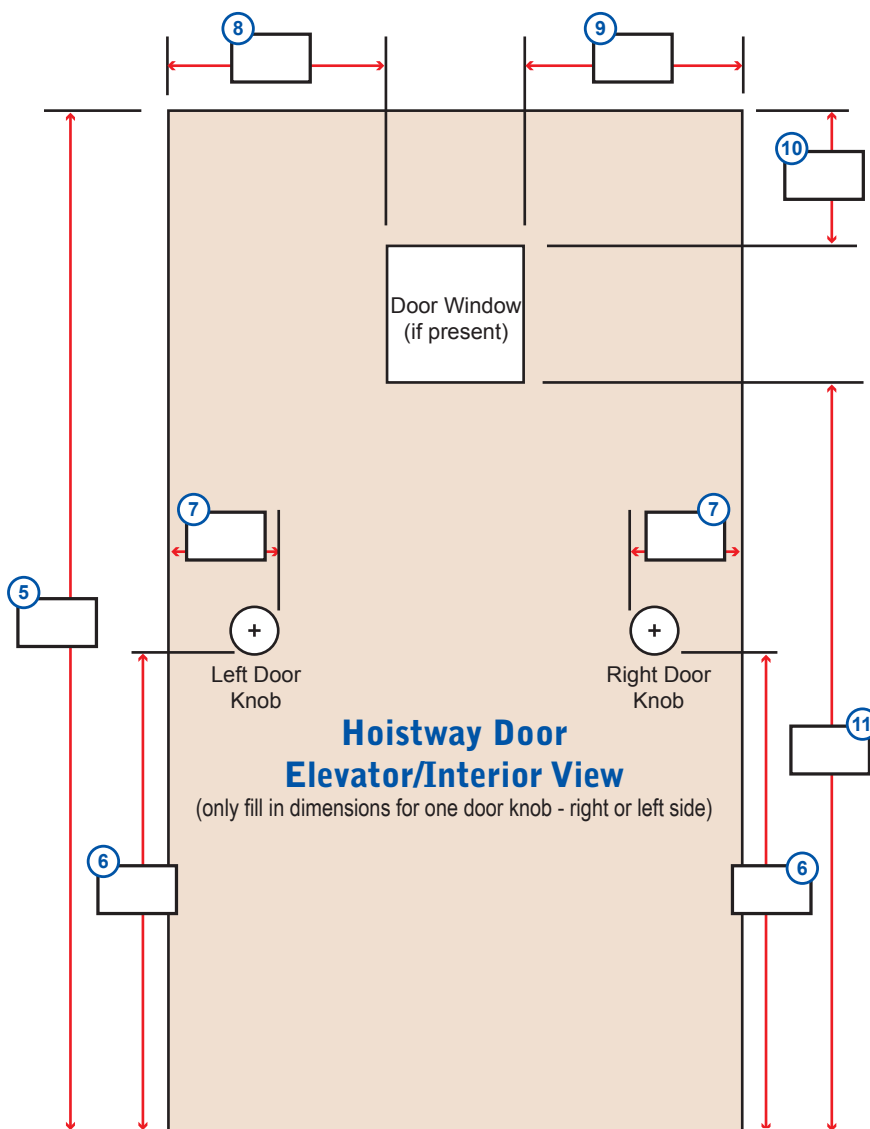
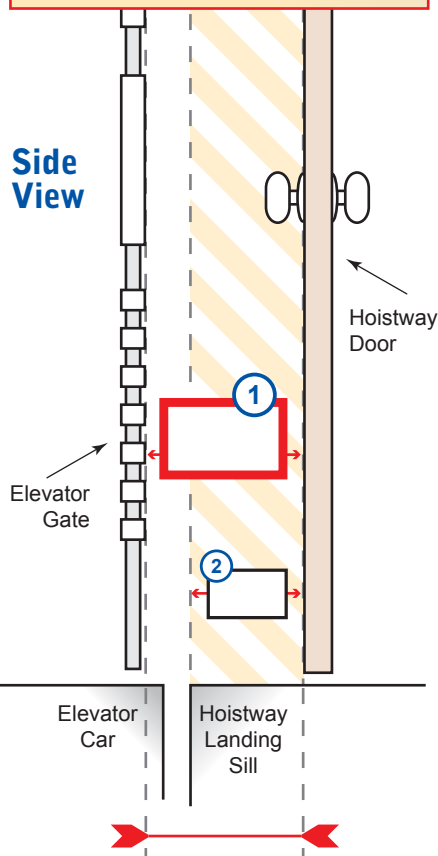
## 1 Important:

If the space between the elevator car's gate and the hoistway door is greater than 4" (or 5 1/2" for a car door, 5" for a residential elevator), a space guard is required.\*

For more information:  
Call us at 410-685-0344  
www.elevatorgates.com

\*ASME A17.3 Safety Code

## Side View



Name: \_\_\_\_\_ Company: \_\_\_\_\_  
 Street: \_\_\_\_\_  
 City: \_\_\_\_\_ State: \_\_\_\_\_ Zip Code: \_\_\_\_\_  
 Phone: \_\_\_\_\_ Fax: \_\_\_\_\_ email: \_\_\_\_\_  
 Special Instructions: \_\_\_\_\_